

SE 1790

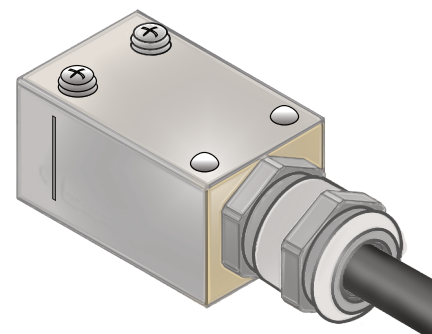
Standard
ATEX



MEASURED FLUIDS
LIQUIDS



PIPE SIZE
DN 20 TO
DN 115 MM



COMMERCIAL DESCRIPTION

- Clamp-on probes for liquids in full pipes.
- Mounting on pipes from DN20 to DN115 mm
- Temperature up to 79°C
- Potted cable through cable-gland

INSTALLATION

Clamp-on

APPLICATION

Full pipe

APPLICATION CONDITIONS

Clear liquids on pipes in good condition

PIPE DIAMETER

From 20 to 115 mm

PIPE MINIMUM THICKNESS

> 0,4 mm

CONNECTION

Potted cable through cable-gland

MOUNTING

/,V, W

TEMPERATURE

From -20°C to +79°C

MOUNTING BRACKET

Option

FLOW CONVERTER COMPATIBILITY

All Ultraflux flow converters

ATEX CERTIFICATION

YES - Ex mb IIC T6

PROTECTION

Type IP68

PROBE MATERIAL

Peek + Sainless Steel

DIMENSIONS

39 x 23 x 22mm (For 1xstand alone probe)

WEIGHT

60 g (For 1xstand alone probe)

NON CONTRACTUAL DOCUMENT