

SE 1790

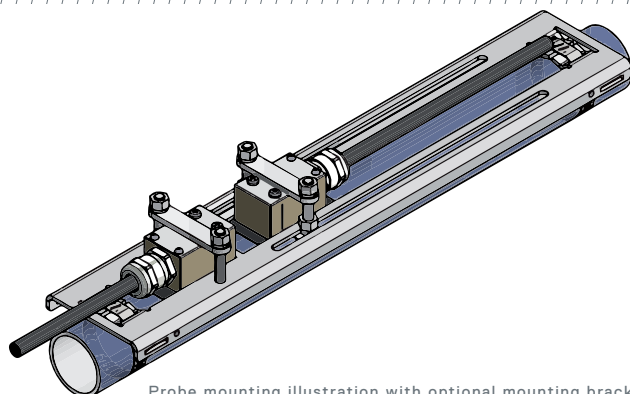
Standard



MEASURED FLUIDS
LIQUIDS



PIPE SIZE
DN 20 TO
DN 120 MM



Probe mounting illustration with optional mounting bracket

COMMERCIAL DESCRIPTION

- Clamp-on probes for liquids in full pipes.
- Mounting on pipes from DN20 to DN120 mm
- Temperature up to 140°C
- Potted cable through cable-gland

INSTALLATION

Clamp-on

APPLICATION

Full pipe

APPLICATION CONDITIONS

Clear liquids on pipes in good condition

PIPE DIAMETER

From 20 to 120 mm

PIPE MINIMUM THICKNESS

> 0,4 mm

CONNECTION

Potted cable through cable-gland

MOUNTING

V, W

TEMPERATURE

From -20°C to +140°C

MOUNTING BRACKET

Option

FLOW CONVERTER COMPATIBILITY

All Ultraflux flow converters

ATEX CERTIFICATION

NO

PROTECTION

Type IP67

PROBE MATERIAL

Peek

DIMENSIONS

37 x 23 x 21 mm (For 1x stand alone probe)

WEIGHT

45 g (For 1x stand alone probe)

NON CONTRACTUAL DOCUMENT