

# SE 1790

High performances



MEDIA  
MEASURED  
LIQUIDS



PIPE DIAMETER  
FROM DN 10  
UP TO DN 400

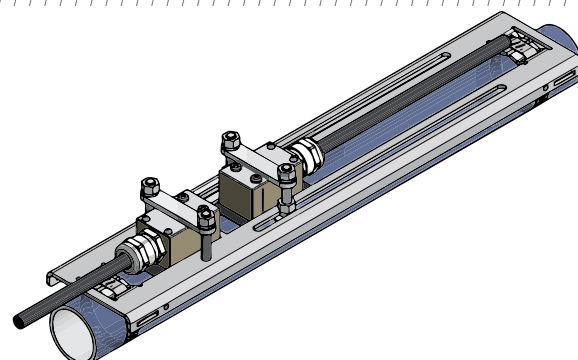


Illustration probes + mounting bracket

## SALES DESCRIPTION

- External probes for liquid flow measurement on a full pipe
- Mounting on a pipe from DN10 up to DN400
- Maximum operating temperature of 110°C
- Potted cable through cable gland

## INSTALLATION

Non intrusive

## APPLICATION

Full pipe

## CONDITIONS OF USE

Difficult - Clear or charged liquids, old or dirty pipes

## DIAMETER OF THE PIPE

10 to 400 mm (10mm using N/W mounting - 400mm using 2<sup>nd</sup> mounting bracket)

## THICKNESS OF THE PIPE

> 0,4 mm

## CONNECTIC

Potted cable through cable gland

## MOUNTING TYPE

/, V, N, W

## TEMPERATURE

From -20°C to +110°C

## COMPATIBLE CONVERTERS

ALL

## ATEX CERTIFICATION

NO

## INGRESS PROTECTION

EN/IEC 60529 IP68

## SUPPORT TYPE

Single or double mounting bracket - in option

## MATERIAL OF THE PROBES

Peek

## MATERIAL OF OPTIONAL SUPPORT

Stainless steel

## OVERALL SIZE (probe only)

37 x 23 x 21 mm (stand alone probe)

## OVERALL WEIGHT (probe only)

45 g (stand alone probe)

## SENSOR FREQUENCY

2 MHz

NON CONTRACTUAL DOCUMENT