

# KIT SE 1791

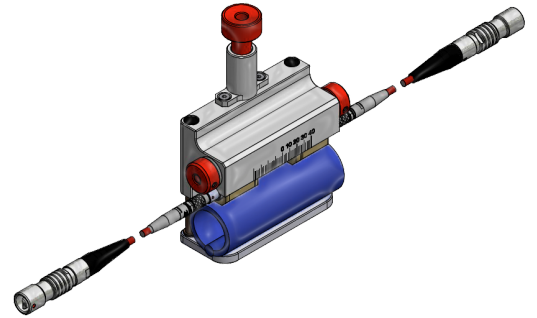
Standard



MEDIA  
MEASURED  
LIQUIDS



PIPE DIAMETER  
FROM DN 6  
UP TO DN 25,4



## SALES DESCRIPTION

- Set of 2 probes with their support
- External probes for liquid flow measurement on a full pipe
- Mounting on a pipe from DN 6 up to DN 25,4
- Maximum operating temperature of 80°C
- Push-Pull connection
- Support included

## INSTALLATION

Non intrusive

## APPLICATION

Full pipe

## CONDITIONS OF USE

Standard

## DIAMETER OF THE PIPE

From 6 to 25,4mm on water application (other fluid: please ask Ultraflux)

## THICKNESS OF THE PIPE

> 0,4 mm

## CONNECTIC

Push-Pull connectors

## MOUNTING TYPE

V, W (depending on pipe diameter)

## TEMPERATURE

From -20°C to +80°C

## COMPATIBLE CONVERTERS

ALL

## ATEX CERTIFICATION

NO

## INGRESS PROTECTION

EN/IEC 60529 IP54

## SUPPORT TYPE

Specific

## MATERIAL OF THE PROBES

Peek

## MATERIAL OF THE SUPPORT

Anodized aluminum

## OVERALL SIZE (support & probes)

121 x 99 x 38 mm

## OVERALL WEIGHT (support & probes)

300 g (without cable)

## SENSOR FREQUENCY

2 MHz

NON CONTRACTUAL DOCUMENT