

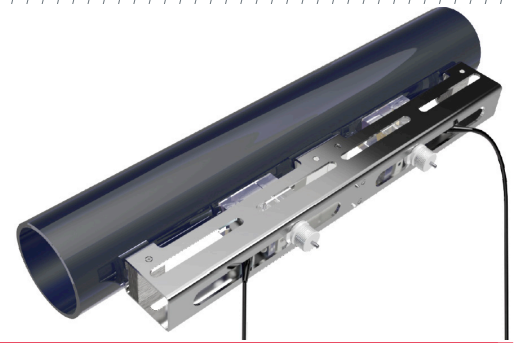
KITSE1599_PP_68H



MEDIA
MEASURED
LIQUIDS



PIPE DIAMETER
FROM DN 100
TO DN 10 000



SALES DESCRIPTION

- External probes for liquid flow measurement on a full pipe
- Microstructure - for difficult applications
- Charged liquids and old/dirty pipes
- Mounting on a pipe from DN100 to DN10 000
- Maximum operating temperature of 120°C
- Push-Pull connectors

INSTALLATION

Non intrusive

APPLICATION

Full pipe

CONDITIONS OF USE

Difficult - Clear or charged liquids and old/dirty pipes

DIAMETER OF THE PIPE

Recommended probe range: 100 - 7500 mm
Extended probe range: 80 - 10 000 mm (requires an 8XX converter)

THICKNESS OF THE PIPE

> 1 mm

CONNECTIC

Push-Pull connectors

MOUNTING TYPE

/, V, N, W

TEMPERATURE

From -20°C to +120°C

SUPPORTS

Included

COMPATIBLE CONVERTERS

ALL

AVAILABLE KIT

NO

ATEX CERTIFICATION

NO

INGRESS PROTECTION

EN/IEC 60529 IP68

PROBE MATERIAL

Rexolite + Stainless Steel

OVERALL SIZE (support & probes)

500 x 50 x 100 mm

OVERALL WEIGHT (support & probes)

1280 g

SENSOR FREQUENCY

500 kHz